



**COUNTY OF SAN LUIS OBISPO HEALTH AGENCY  
ENVIRONMENTAL HEALTH SERVICES DIVISION**

2156 Sierra Way STE. B, San Luis Obispo, CA 93401

PO Box 1489, San Luis Obispo, CA 93406

Phone: (805) 781-5544 Fax: (805) 781-4211

Email: [ehs@co.slo.ca.us](mailto:ehs@co.slo.ca.us) Website: [www.slocounty.ca.gov/ehs](http://www.slocounty.ca.gov/ehs)

**FLOOR MATERIALS FOR FOOD AND BEVERAGE FACILITIES  
(California Retail Food Code H&S §14268)**

**Floor materials used in food and beverage facilities must be of smooth, durable construction, easily cleanable and nonabsorbent material in areas of the following:**

- where food is prepared, packaged, or stored
- utensil and equipment washing areas
- restrooms and hand washing areas
- service areas and wait stations where sinks or food/beverage equipment are located
- garbage and refuse storage areas
- janitorial facilities
- walk-in refrigerators and freezers
- self-service food and beverage area
- storage areas

**Accepted floor materials**

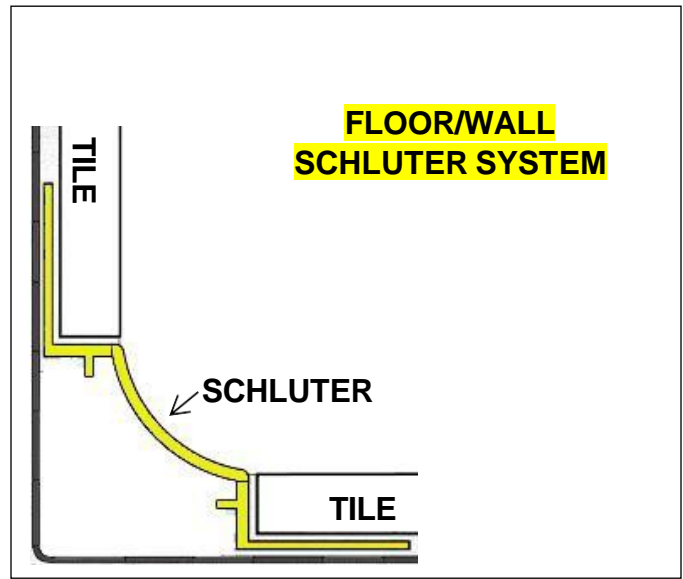
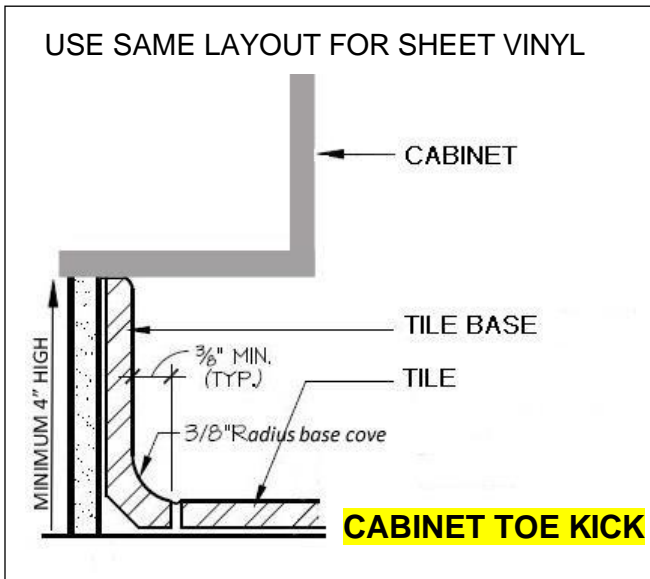
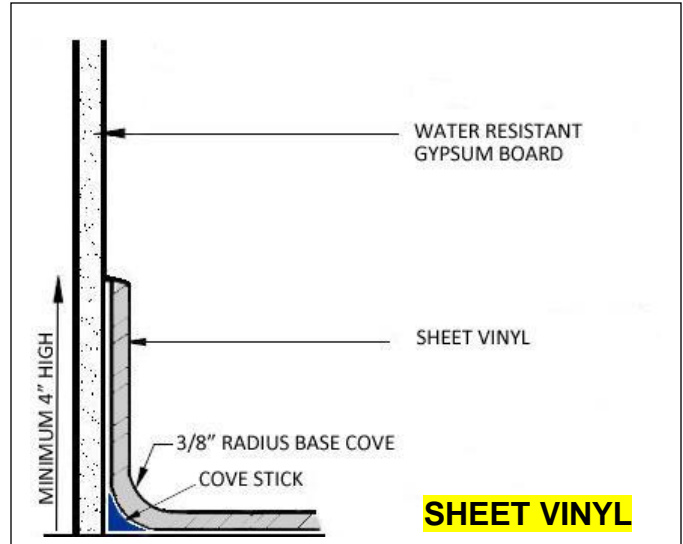
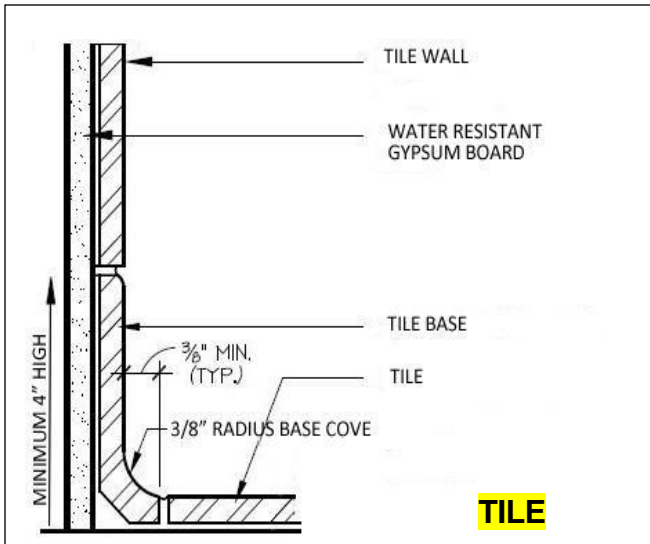
- **Commercial-grade sheet vinyl** (no felt backing) at least 0.080-inches thick, with heat-welded seams, may be suitable for some applications if also consistent with manufacturer's specifications. Where sheet vinyl is used as the floor material, a cove backing (cove stick) must be used at the wall/floor and toe kick/floor junctures. ie Altro Floors, Eco-Grip, Protect-All Flooring.
- **Quarry tile and ceramic tile.** Quarry and ceramic tile shall be impact resistant and have a minimum thickness of ¼ inches.
- **Seamless poured epoxy minimum 3/16-inch thick.** Epoxy flooring must be troweled-on with a uniform thickness of at least 1/8 inch. Epoxy paint and rolled-on epoxy commonly used on garage floors are not acceptable.
- **Approved sealed concrete for food storage rooms and walk-in units only.** Paint is not acceptable. Concrete surface must be smooth and free from pits, chips, or exposed aggregate; cove base must be either an integral coved concrete curb or a "keyed in" tile cove base.
- **Approved schluter system**

**Unapproved floor materials**

- **Top set cove base material**
- **Concrete flooring.** (acceptable in locker rooms, employee change rooms, and in storage rooms where food or beverages are stored in original unopened packaging (no bulk food bins allowed).

- **Vinyl Composition Tiles (VCT) with rubber base, and residential linoleum.** May be installed in locker rooms and employee change rooms, and in storage rooms where food or beverages are stored in original unopened packaging (no bulk food bins allowed).
- **Slate, travertine tile, or other natural stone tiles.**
- **Wood or carpet.**
- **Asphalt.**

**COVING:** Floor surfaces shall be coved at the juncture of the floor and wall with a 3/8 inch minimum radius coving and shall extend up the wall at least 4 inches



**Exceptions:**

- All of the above floor materials may be installed in customer sales and dining areas, except within 3 feet of self-service food or beverage locations.
- Asphalt at outdoor trash enclosures must be sloped to drain.